



INSTRUCTION MANUAL

ProDevice DAC Combo

ORIGINAL MANUAL

Manual version - V.DAC.2025.1.EN
DGX03 Manual version - V.DGX03.2025.2.EN
ASM240 Manual version - V.ASM240.2025.1.EN

Thank you for purchasing the ProDevice DAC combo. This product contains of two devices: ProDevice ASM240 degausser and ProDevice DGX03 shredder which can be used separately or as a combo. This product is not a machine within the meaning of European Union regulations.



Read this instruction manual before use.

Read the instruction manual of the ProDevice ASM240 degausser before use.

Read the instruction manual of the ProDevice DGX03 shredder before use.

Follow safe operating procedures.



The manufacturer is not liable for any accidents or damages resulting from improper use of the product or as a result of using it in a manner inconsistent with or deviating from the principles set out in this instruction manual and other manuals and materials.

The manufacturer reserves the right to introduce changes to the design of the devices, deemed necessary by the manufacturer to improve them.

This instruction manual is an integral part of the product.
Instruction manual is protected by copyright regulations.
All rights reserved. © Copyright by DISKUS Polska Sp. z o. o.

CONTENTS

FRONT PAGE.....	1
CONTENTS.....	3
1. INTRODUCTION	4
2. SAFETY.....	5
3. GENERAL DESCRIPTION OF PURPOSE, CONSTRUCTION AND OPERATION	6
3.1. FUNCTIONAL ELEMENTS AND OPERATION.....	6
3.1.1. REVIEW	6
3.1.2. DIMENSIONS	7
3.1.3. CUSTOMIZATION.....	8
3.1.4. START-UP.....	11
3.1.5. OPERATION.....	11
3.2. OPERATOR STATION DESCRIPTION.....	12
4. TRANSPORT, HANDLING AND STORAGE	13
4.1. TRANSPORT.....	13
4.2. TRANSFER.....	13
4.3. STORAGE.....	13
5. INSTALLATION AND OPERATION.....	14
5.1. INSTALLATION REQUIREMENTS.....	14
5.2. GENERAL SET-UP CONDITIONS.....	14
5.2.1. USER'S MANUAL	14
5.2.2. STAFF TRAINING	14
5.2.3. CONDITIONING	14
6. INSPECTIONS AND MAINTENANCE.....	15
6.1. RISK DURING MAINTENANCE WORK.....	15
6.2. WITHDRAWAL FROM SERVICE.....	15
CONTACT.....	16

1. INTRODUCTION

This product contains of two devices: ProDevice ASM240 degausser and ProDevice DGX03 shredder which can be used separately or as a combo. This product is not a machine within the meaning of European Union regulations.



- Before start-up, read the devices' instruction manuals.
- Keep the instruction manuals.
- Store the instruction manuals with the devices.
- Follow all safety guidelines.
- If you have any questions about the product or the information provided with it, please contact the manufacturer for additional answers.
- Contact details can be found on the last page.
- Keep the proof of purchase for your product.
- Keep the devices' operating instructions along with all additional documentation.
- The devices must be registered at: <https://www.pro-device.com/en/product-registration/>

2. SAFETY

The information contained in this section are important for the safe operation of the product. All places in the manual that contain information of high importance are marked with an exclamation mark on a yellow background:



The manufacturer will not be liable for any damages resulting from improper use of the installation, which is a set of machines and devices, or as a result of use in a manner inconsistent with or deviating from the principles set out in this instruction manual or other materials provided by the manufacturer.

DISKUS Polska Sp. z o. o. will not be liable for any damage to the product resulting from failure to comply with the operating instructions.

The user of the devices should ensure that appropriate occupational health and safety regulations are implemented for all employees who operate the devices or may have any contact with them.

ATTENTION!

The product is not intended for installation in explosion hazard zones (Ex).

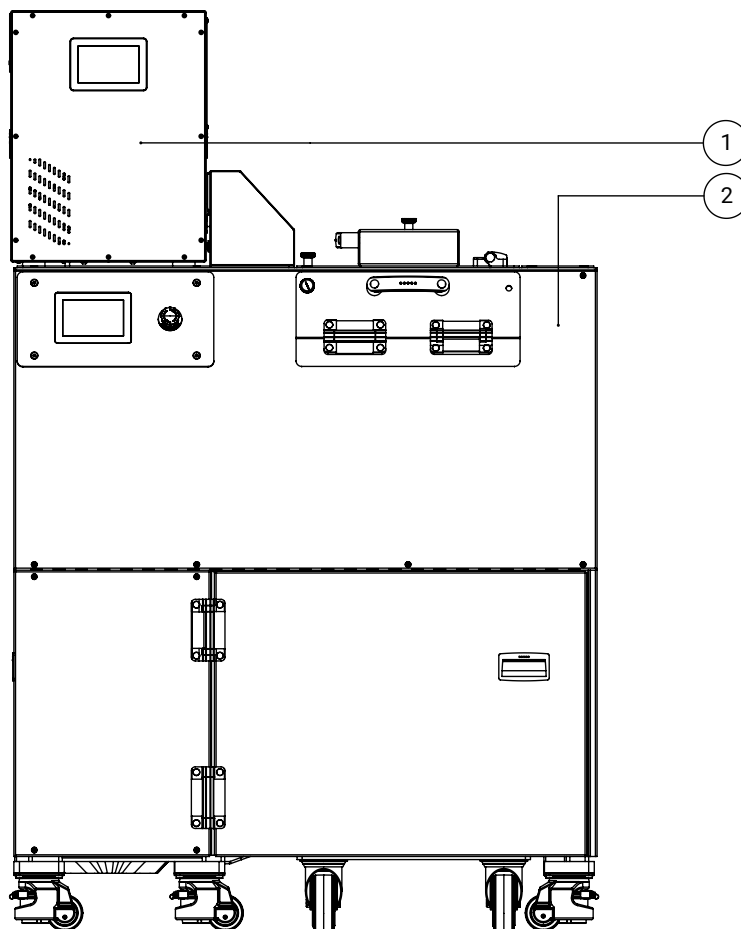
3. GENERAL DESCRIPTION OF PURPOSE, CONSTRUCTION AND OPERATION

The product is delivered to the buyer as two separate devices. Guidelines on how to safely unpack the devices can be found in their corresponding manuals.

Before first use, wait at least 12 hours for the devices to equalize in temperature with the surroundings.

3.1. FUNCTIONAL ELEMENTS AND OPERATION

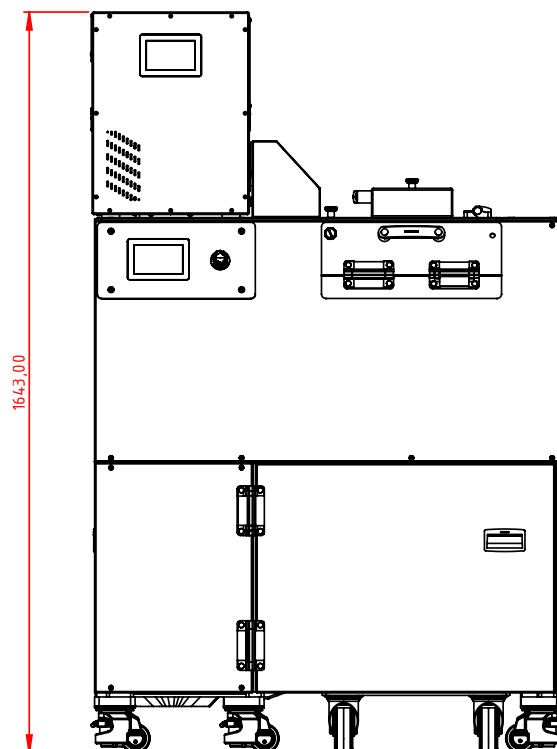
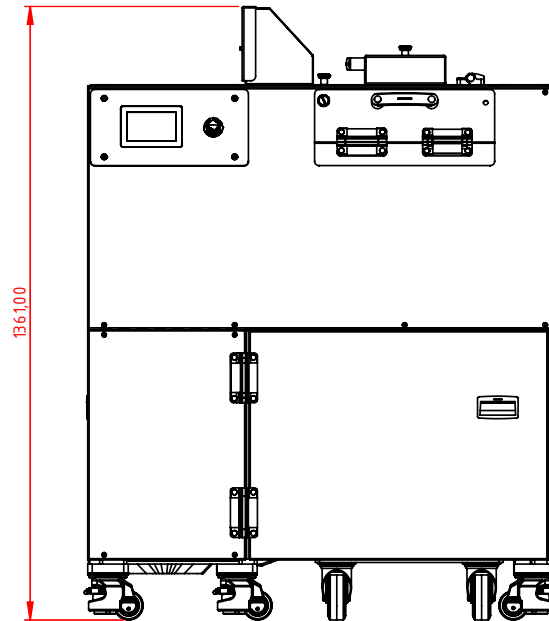
3.1.1. REVIEW



1. ProDevice ASM240
2. ProDevice DGX03

3.1.2. DIMENSIONS

All dimensions of the device are given in millimeters [mm].



3.1.3. CUSTOMIZATION

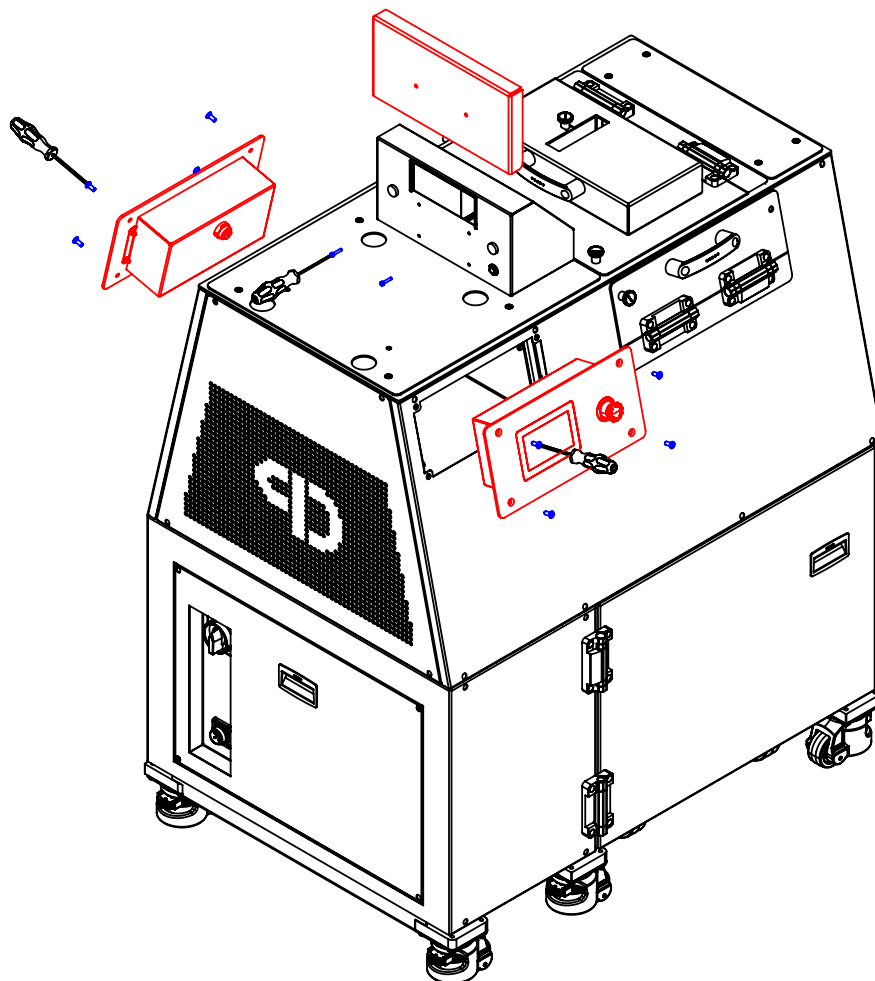


Before carrying out any assembly, maintenance or inspection activities, disconnect the devices from the power supply by disconnecting the power cord from the mains and then from the devices and wait until the devices have equalised temperature with the surroundings.

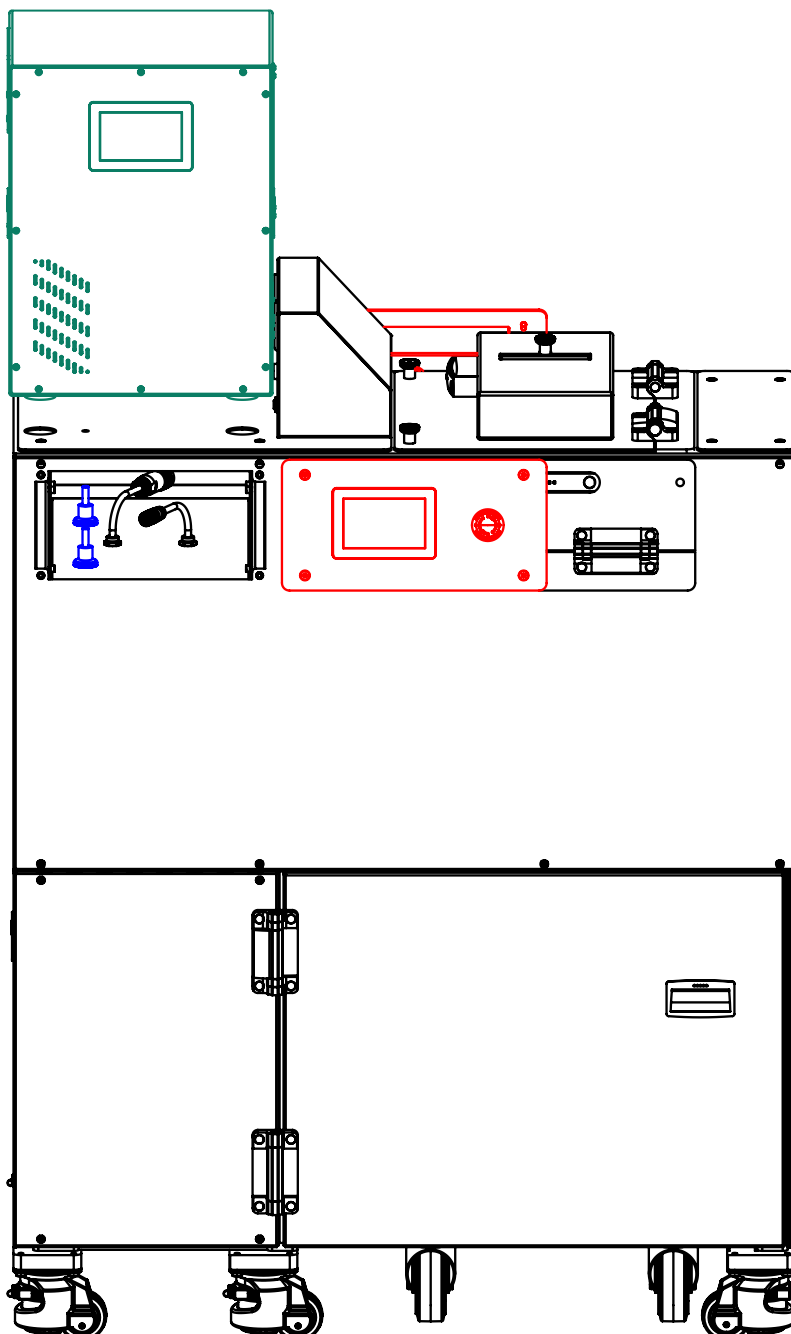
3.1.3.1. Combo assembly

ASM240 degausser can be locked together with DGX03 shredder for maximum safety of the process and operation. This requires the use of tools - a 3 mm and a 4 mm Allen keys (hex).

- Operator panels should be dismantled from the shredder using 4 mm Allen key. Remove the safety cover from the front using 3 mm Allen key.



- Mount ASM240 degausser (green) in a designated place on top of the DGX03 and secure it against movement by screwing it to the shredder using the tools provided (blue). Connect the operator panels back after the process is finished.



3.1.4. START-UP

- Connect the power cable to the DGX03 shredder (lock the plug against unplugging) and then to a grounded electrical outlet.
- Connect the ASM240 degausser to the 250V AC 6A 2P+E power socket type CEE 7/7 (E/F) located on a control panel of the DGX03 shredder.
- Turn the power switch of the shredder towards the "I" sign, the device will start up.
- Wait until the main screen appears on the display. The device is ready to work.
- Press the power switch of the degausser towards the "I" sign, the device will start up.
- Wait until the main screen appears on the display. The device is ready to work.
- To properly shut down the degausser, after the demagnetization cycle is complete and you return to the home screen, press the power switch toward the "O" sign. If you are using the Professional or Ultimate version of the device, you must press the power button on the home screen before shutting down the device as described. The device can only be shut down using the power switch after the message "You can now power off the device" appears on the display. Failure to do so may result in damage to the device or its components.
- To properly turn off the shredder, after the motor has stopped rotating, turn the power switch towards the "O" sign.
- Disconnect the power cable from the power outlet and then from the shredder.
- To check the software version of your devices and the corresponding version of the manuals, press the button marked as a QR code on the home screen on each device.



Only one medium can be destroyed at a time.

3.1.5. OPERATION

Media can only be inserted into the product through the degausser media input. Any opening of the media input stops the degausser for safety reasons. After the degaussing cycle is complete, media will be inserted directly into the shredder. Any opening of the side inputs stops the shredder for safety reasons. The shredder should operate normally during every degaussing cycle to guarantee the process' safety.

ASM240 not detected screen



When ASM240 is absent, the safety cover must be installed to operate the shredder. To operate the machine after this message appears on screen, restart the device.

3.2. OPERATOR STATION DESCRIPTION

- The surface on which the product is installed must have sufficient load-bearing capacity to create a safe workstation.
- Secure the DGX03 shredder against movement by lowering the rubber feet built into the wheels so that the unit rests on all 6 feet.
- Secure the ASM240 degausser against movement by screwing it to the DGX03 shredder using the tools provided.
- All devices and building elements should be located at least 1 metre away from the product to allow for adequate ventilation.
- The site must be equipped with workplace ventilation.
- Workplace ventilation must be equipped with at least class H filtration system according to EN/IEC 60335-2-69.

4. TRANSPORT, HANDLING AND STORAGE

4.1. TRANSPORT

- The product may only be transported as two separate devices, in accordance with the guidelines in the corresponding manuals.
- Before use after transportation, please wait at least 12 hours for the devices to equalize temperature with the surrounding environment.

4.2. TRANSFER

- The product may only be moved as two separate devices, in accordance with the guidelines in the corresponding manuals.

4.3. STORAGE

- The product may only be stored as two separate devices, in accordance with the guidelines in the corresponding manuals.
- If the devices will not be used for a long time, disconnect their power cords from the mains.
- Do not allow any liquids to enter the devices during storage.
- Before use after long-term storage in uncontrolled climatic conditions, wait at least 12 hours for the devices to equalize in temperature with the surrounding environment.

5. INSTALLATION AND OPERATION

5.1. INSTALLATION REQUIREMENTS

- Place the DGX03 shredder on a solid surface in the designated, sheltered installation area.
- Make sure the floor has sufficient load-bearing capacity to create a safe workplace.
- Secure the shredder against movement by lowering the rubber feet built into the wheels so that the device rests on all 6 feet.
- Place the ASM240 degausser on a designated solid surface on the DGX03 shredder.
- Secure the degausser against movement by screwing it to the DGX03 shredder using the tools provided.
- All devices and building elements should be located at least 1 metre away from the product to allow for adequate ventilation.
- Make sure the site is equipped with workplace ventilation.
- Make sure that the workplace ventilation is equipped with at least class H filtration system according to EN/IEC 60335-2-69.

5.2. GENERAL SET-UP CONDITIONS

5.2.1. USER'S MANUAL

Before first use, operation and maintenance of the product, please read the operating instructions carefully and keep them for future use or passing them on to subsequent users.

5.2.2. STAFF TRAINING

Training of employees assigned to operate the product is essential to ensure proper operation.

5.2.3. CONDITIONING

Before putting the product into operation, the compliance of the following points must be confirmed:

- The devices must be complete.
- All components must be installed in accordance with the documentation.
- All elements must be stable.
- The markings are applied and legible.
- The user manuals are available.
- Staff have been trained.
- Everyone is aware of potential threats and how to avoid them.

6. INSPECTIONS AND MAINTENANCE

6.1. RISK DURING MAINTENANCE WORK

- Maintenance work may only be performed by an authorized manufacturer's service center or a service technician with appropriate qualifications and knowledge of the product.
- Improper handling of the product during maintenance work can result in electric shock and death.
- Improper handling of the product during maintenance work may result in damage to the devices, mechanical injury to body parts and death.

6.2. WITHDRAWAL FROM SERVICE

The product is subject to WEEE 2012/19/EU regulations. The devices or any of their electrical or electronic parts may not be disposed of with household or similar waste. When disposing of waste from the devices, proceed in accordance with the regulations in order to avoid negative effects on the environment and human health, which could occur due to improper handling of this waste. For further information on recycling waste from this product, contact your local municipal authorities, the relevant waste disposal service, or the supplier of the product.

CONTACT

ProDevice Spółka z ograniczoną odpowiedzialnością

ul. Tadeusza Kościuszki 1, 32-020 Wieliczka, Poland

tel. +48 122 919 101

email: info@pro-device.com

service: support@pro-device.com

If you have an idea or suggestion for improvement, please write to info@pro-device.com

info@pro-device.com

www.pro-device.com

MANUFACTURER'S ADDRESS DETAILS

DISKUS Polska Spółka z ograniczoną odpowiedzialnością

ul. Tadeusza Kościuszki 1, 32-020 Wieliczka, Poland

service: support@pro-device.com