



INSTRUCTION MANUAL

Rack drawer ProDevice MSS for media storage

V.MSS.2024.3.EN

CONTENTS

1. Features	04
2. Packaging removal	04
3. Overview	05
4. Operation	07
5. Storage of media	10
6. Safety precautions	11
7. Maintenance	12
8. Possible faults and ways to fix them	13

Thank you for purchasing the ProDevice MSS (Modular Storage System) drawer – a smart, professional and space optimizing solution for secure storage and archiving of data carriers (magnetic tapes, disks, floppy disks, etc.). Available in the 3U and 4U versions, and with an extraordinary high storage capacity, the MSS drawers can be mounted in any 19" rack due to standard dimensions and universal rails.

This user manual is integral to the device. Read and understand the manual before operating the cabinet. Keep the manual for future reference. The company DISKUS Polska sp. z o. o., as the manufacturer is not responsible for the partial or total failure to comply with this manual.

Strictly follow the operating guidance specified in the user manual. Any deviation from it is against the intended use of the drawer. The manufacturer will not be liable for any damage caused by non-intended use of the device.

Never attempt to modify the drawer. The manufacturer will not be liable for the performance or operating safety if the device is modified.

The manufacturer reserves the right to introduce changes to the design of devices, deemed necessary by the manufacturer to improve them.



Refer to Instruction manual.



Electrical hazard.



Close the drawer with caution.



No sitting.

1. FEATURES

- Prodevice MSS Drawer
- Rails for mounting the drawer in a rack cabinet
- A key for the drawer lock (in version Basic)
- Cable guide with mounting kit (in versions Professional and Ultimate)
- Power supply (in versions Professional and Ultimate)
- Pendrive with manual instructions

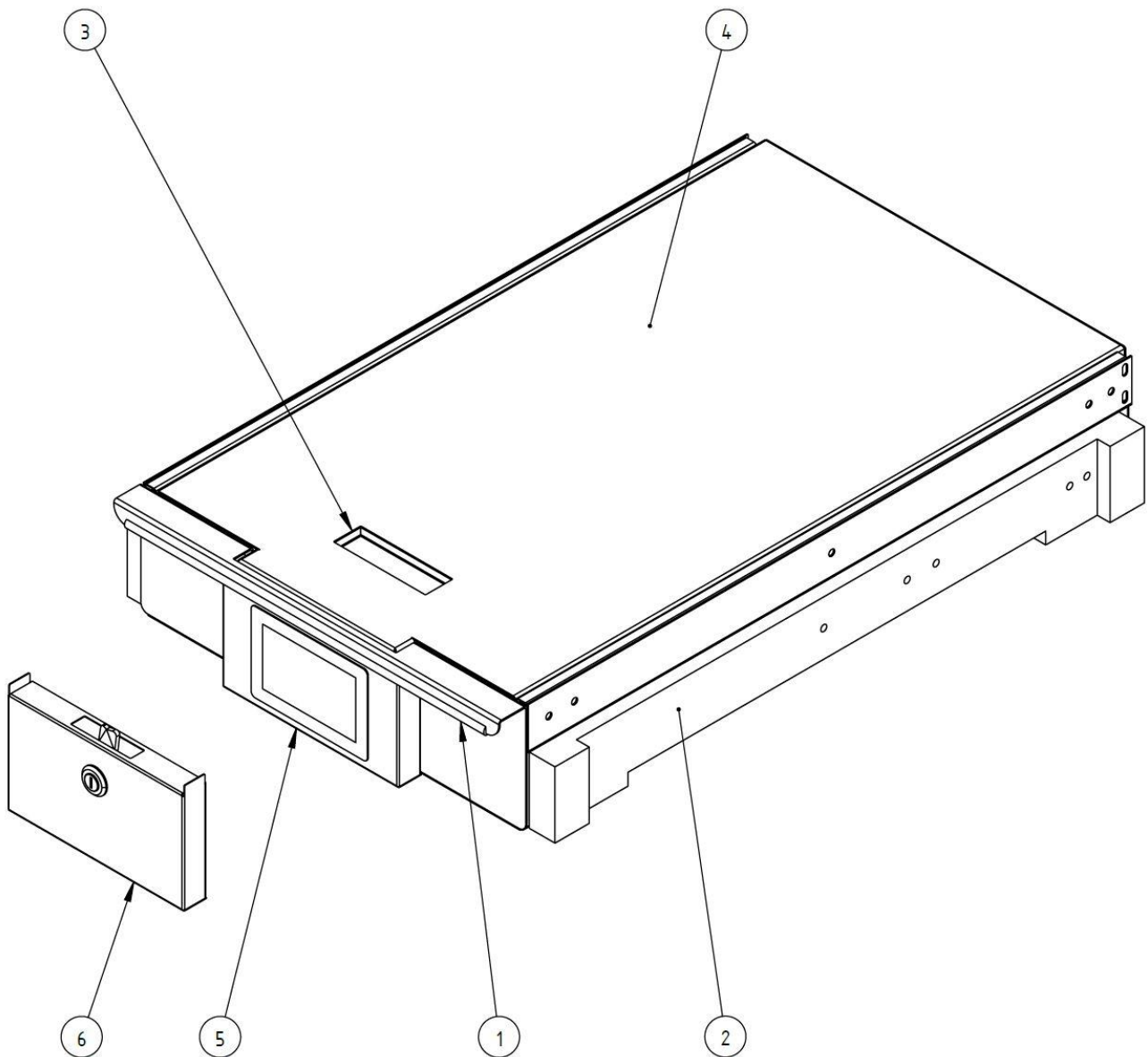
2. PACKAGING REMOVAL

The MSS drawer is delivered to the buyer in a dedicated box. The device's weight requires at least two people or a server lift to remove it from the box and subsequent transport to the place of installation. Carefully remove all packaging materials and verify that the contents are complete. Having removed the packaging materials, immediately inspect the drawer for any evidence of damage in transport (in the carrier presence). If the device or any of its dedicated accessories are damaged, report this to the shipment forwarder and the manufacturer.

With all packaging materials removed, place the drawer in the designated installation site by following this instruction manual.

3. OVERVIEW

Isometric view



1. Drawer pull-out handle

2. Outer rails

3. Top cover pull-out handle

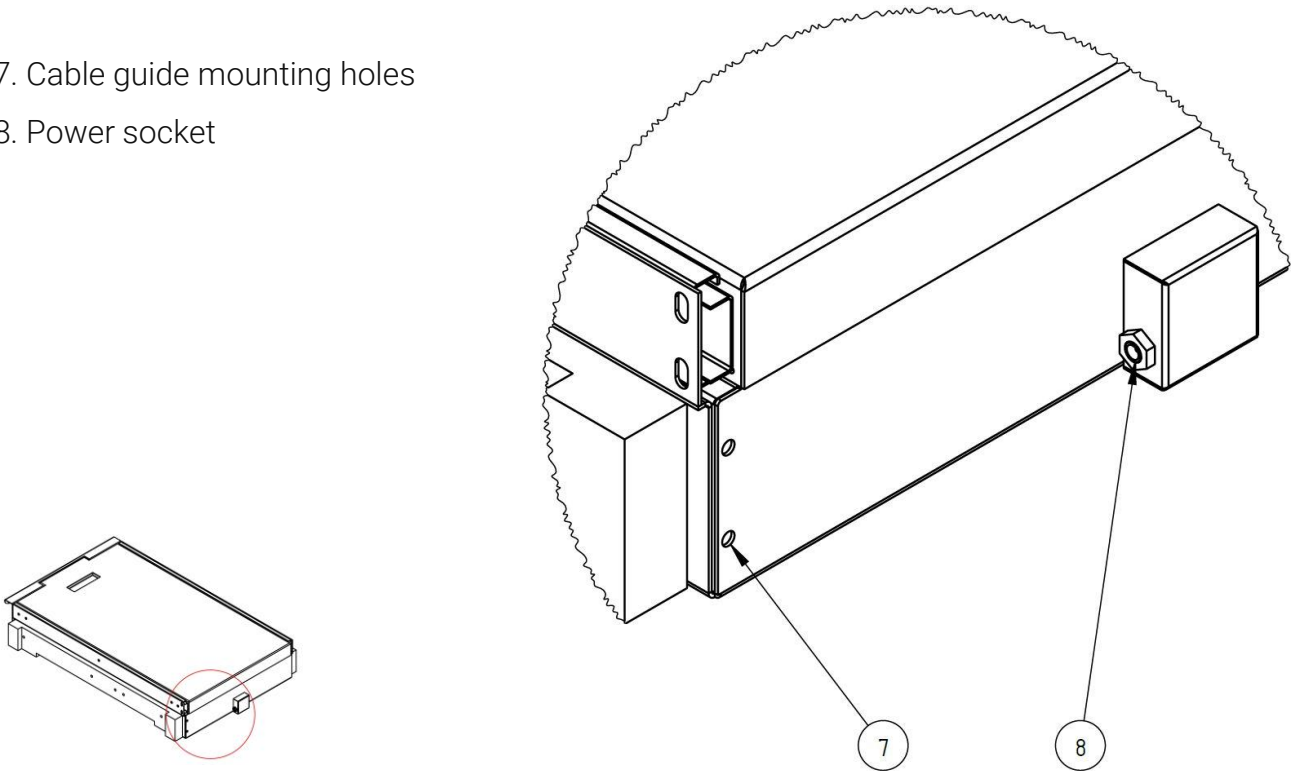
4. Top cover

5. Front Professional / Ultimate

6. Front Basic

Isometric view back (applicable for versions Professional and Ultimate)

- 7. Cable guide mounting holes
- 8. Power socket



Technical specification

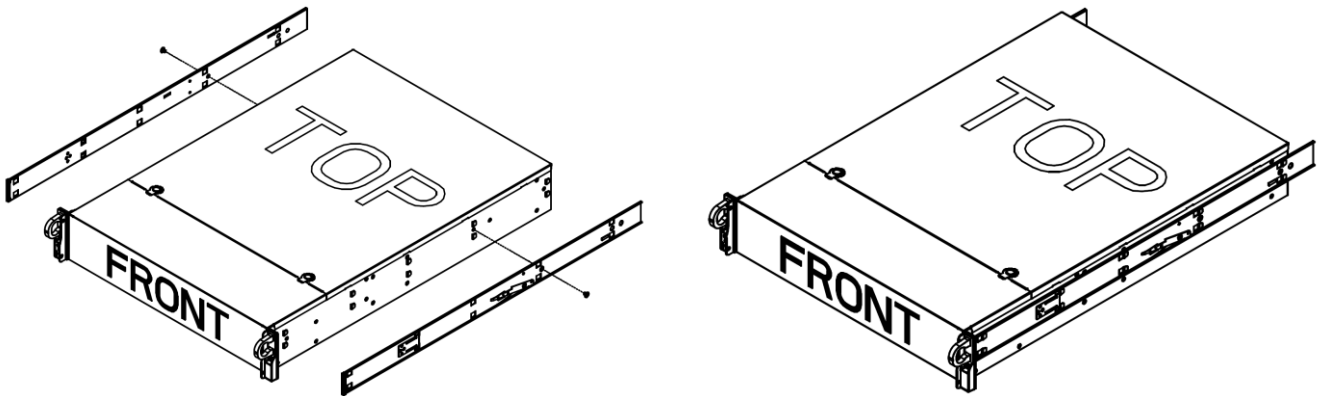
Model	MSS 300 Basic	MSS 300 Pro. / Ultimate
Height	3 U	3 U
External dimensions	131 x 450 x 750 mm	131 x 450 x 765 mm
Capacity	32,5 l	32,5 l
Weight	22 kg	23 kg

Model	MSS 400 Basic	MSS 400 Pro. / Ultimate
Height	4 U	4 U
External dimensions	175 x 450 x 750 mm	175 x 450 x 765 mm
Capacity	45 l	45 l
Weight	23 kg	24 kg

4. OPERATION

The MSS drawer has been designed for installation in 19-inch cabinets and racks with a minimum depth of 1000 mm. Before starting the installation, make sure that there is free space in the cabinet for the planned drawer.

The drawer must be installed in the rack cabinet using the Supermicro MCP-290-00053-0N rails, supplied with the drawer. Note that the left and right rails are different. Internal rail guides will be fitted to the drawer by the manufacturer.



Before starting the installation, make sure that you put the corresponding rails on the left and right sides of the drawer.

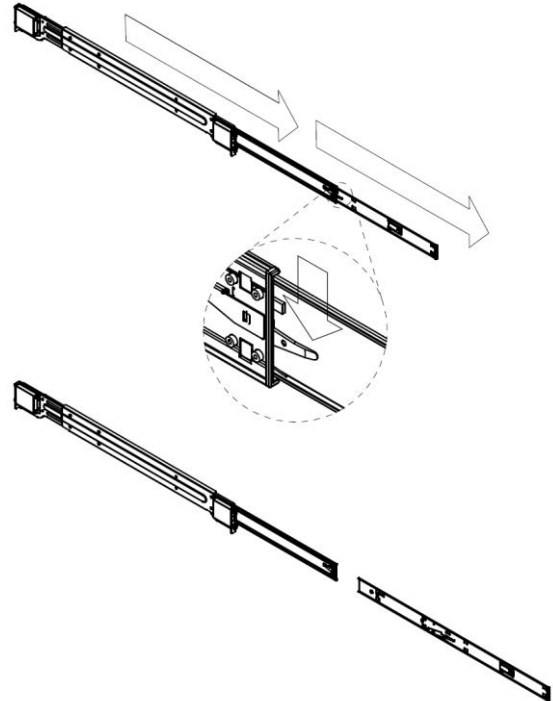
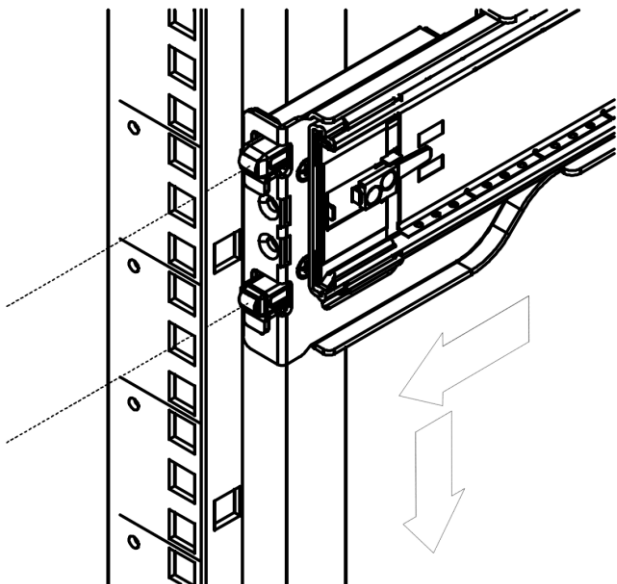
Begin the installation of the drawer by properly fastening the rails in the rack cabinet, following the instructions on the next page.

At least two people or a server lift are required to securely mount the drawer in the rack.

The drawer extends fully beyond the vertical slats of the rack cabinet.

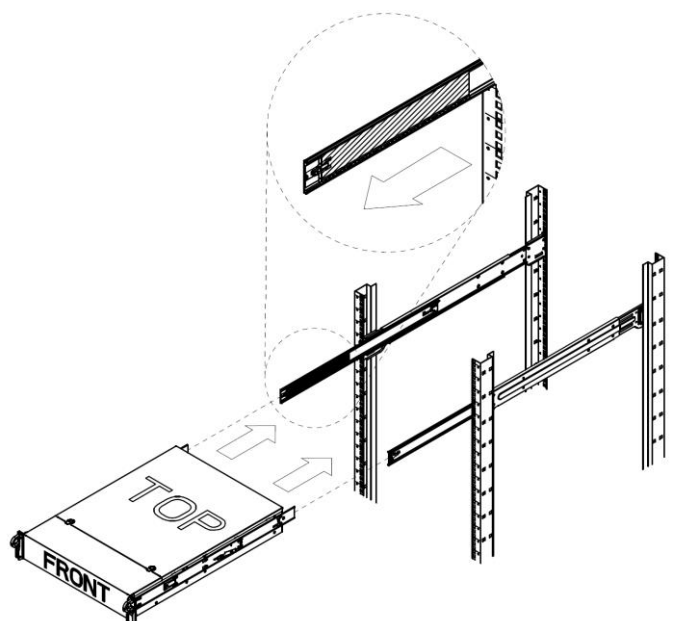
Mounting the drawer in the rack cabinet

Unfold the rails attached to the device and slide out the inner part using the locking mechanism shown in the picture beside.



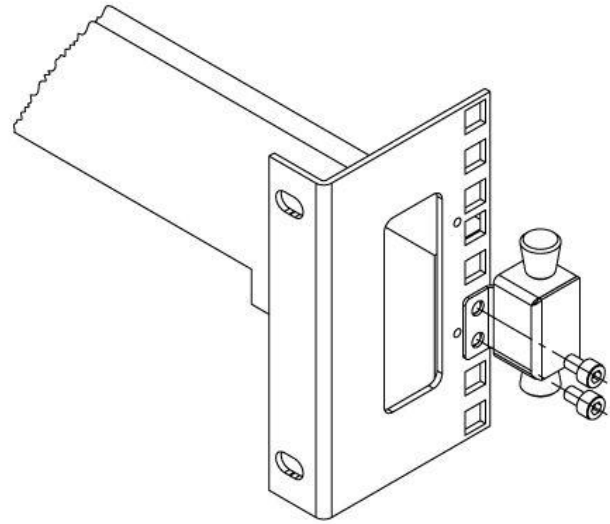
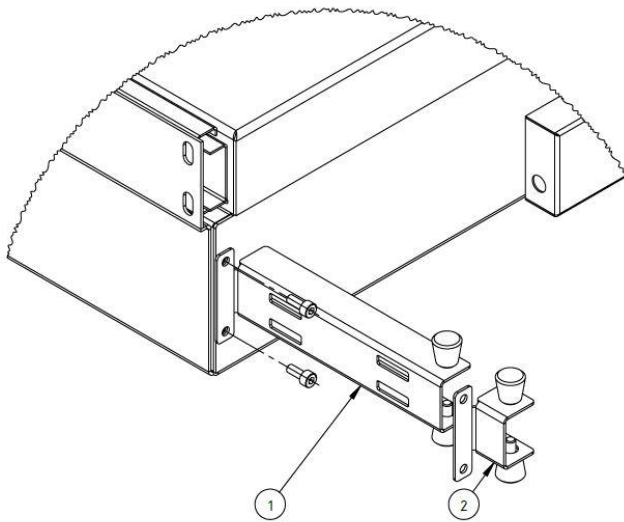
Then, secure the rails to the rack mounting rails using the built-in latches.

Slide out the middle part of the rail and make sure it is locked. Then, with the help of a second person or a server lift, position the drawer so that the inner rails align with the middle rails and slide the drawer inside. To slide the drawer inside the cabinet, use the locking mechanism again.



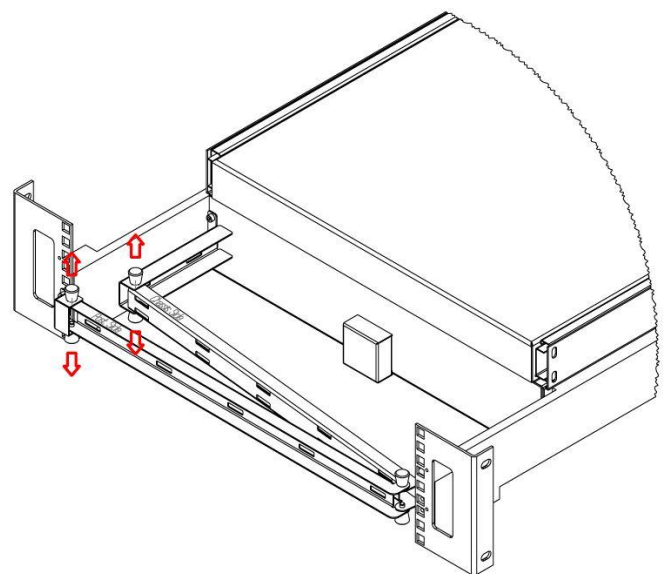
Mounting the cable guide (in versions Professional and Ultimate)

Screw the frame mounting piece into the holes in the previously installed right Supermicro MCP-290-00053-0N rail using M5 screws.



Then, attach the drawer mounting piece to the holes in the drawer body using M4 screws. You can install a long element (1) or a short element (2) depending on the dimensions of your rack cabinet.

Install the cable guide arms by pulling the spring pins outwards. Pay attention to the method of mounting the guide - the element mounted to the frame is marked "post side", and the element mounted to the drawer is marked "chassis side".



Start-up (in versions Professional and Ultimate)

1. Install the drawer and cable guide according to the instructions on the previous pages of this manual instruction.
2. Mount the drawer power cord loosely using cable ties inside the cable guide.
3. Plug the power cord into the drawer and then into a grounded electrical outlet. The drawer screen will turn on and the device will be ready for operation.
4. To check the software version of the drawer and the corresponding version of the software manual, press the "Info" button on the main screen.
5. To properly turn off the device, after finishing work, disconnect the power cable from the power socket and then from the drawer.

5. STORAGE OF MEDIA

If the rack cabinet is not permanently attached to the floor, place the MSS drawer at the lowest level possible.

Each ProDevice MSS drawer must be loaded with evenly distributed components.

Each MSS drawer can be configured to partitions, depending on the type of media stored.

Do not exceed a maximum load of 70 kg per drawer.

The MSS drawer in the Professional version constantly displays temperature and humidity so that the user can control the media storage conditions.

The MSS drawer in the Ultimate version also constantly displays the drawer's capacity status.*



DANGER!

Never attempt to sit on top of the ProDevice MSS drawer.

6. SAFETY PRECAUTIONS

Please read the operating manual before initial start-up, operation and maintenance of the device and keep it for later use or for passing on to any subsequent users.

- Service may be performed by authorized personnel only.
- Before using the device, check if all elements are installed accordingly to the manual instructions.
- Never attempt to open and / or modify the device.
- If a malfunction is detected in the device, it must be reported immediately to the person responsible. This is important for your own safety and that of others.
- This device may be used by people with inexperience and knowledge of the equipment, if supervision or instruction regarding the use of the equipment is provided in a safe way, so that the threats were understandable. Children should not play with the device.
- Operating the device may be dangerous for pregnant women and people with pacemakers.
- Before attempting any adjustment, maintenance or inspection, always isolate the degausser from the supply voltage by unplugging the power cord from the mains and wait until the degausser cools down.
- If power is disconnected, the operator must see that the machine is disconnected (power cord disconnected and unplugged) from every point to which he has access. If this is not possible due to the design or installation of the machine, disconnect with the locking system in the disconnected position from the power supply.
- Do not store / use the device in places where it may be exposed to moisture or temperature exceeding the allowed.
- If the device will not be used for an extended period of time, disconnect the power cord from the mains.
- Disconnect the device from the local power grid during an electrical storm.
- Do not allow any liquids to enter the device.

- If you notice overheating of the device, turn off the device and wait 30 minutes.
- Due to the weight of the device, at least two people are required to remove it from the box and transport it later to the installation site.
- The device may only be transported in the packaging or suitcase provided by the manufacturer.
- The package or a case should be secured during transport with transport belts or other means ensuring mechanical stability.

7. MAINTENANCE



CAUTION!

Improper handling of the machine can lead to an electric shock.

Clean the drawer only with a dry, soft cloth. Do not allow any liquids to enter the device. Do not use scouring agents, cleaning agents, petroleum and its derivatives, or thinners.

Mechanical and electrical maintenance may only be performed by the manufacturer's authorized service.

In the event of a failure or interruption in operation due to damage to the device or any of its components, please contact the authorized service of the manufacturer.

8. POSSIBLE FAULTS AND WAYS TO FIX THEM

Below are the fault descriptions and the required user responses:

Fault / Information shown on the display	Possible cause	Way to remove the fault
The device does not turn on	There is no power at the wall socket	Check that there is power in the outlet by plugging in another electrical device
	The plug is not properly inserted in the wall socket	Insert the plug into the wall socket correctly
The device does not turn on – power socket is ok	Damaged power cord	Replace the power cord with a new one having the same specifications
The device does not turn on – power socket, power cord ok	Damaged power supply	Replace the power supply with a new one having the same specifications
	The plug is not properly inserted in the drawer socket	Insert the plug into the drawer socket correctly
The device does not turn on – power socket, power cord, power supply ok	-	Contact service
Pop-up – exclamation mark on the screen	Damaged electronics	Contact service
Forgotten access pin / lost key	-	Contact service

* The capacity sensors may not work properly when exposing to UV radiation.

CORRECT DISPOSAL OF THE PRODUCT (ELECTRICAL AND ELECTRONIC EQUIPMENT).

According to the idea of GreenIT, correct handling of electronic and electrical waste helps to avoid harmful consequences to the people's health and to environment resulting from incorrect storage and processing of equipment. This is provided for by European Community Directive 2002/96/EC and Polish act on waste Electrical and electronic equipment.

After the end of life, a drawer (in versions Professional and Ultimate) should be submitted to an electrical and electronic waste collection point. A symbol on the product, packaging or manual signals this.

INTERNATIONAL HOTLINE: +48 122 919 101



CONTACT

ProDevice Spółka z ograniczoną odpowiedzialnością

ul. Kościuszki 1, 32-020 Wieliczka, Poland

tel. +48 122 919 101

e-mail: info@pro-device.com

service: support@pro-device.com

If you have an improvement idea or suggestion, write to info@pro-device.com

info@pro-device.com

www.pro-device.com

MANUFACTURER'S ADDRESS DETAILS

DISKUS Polska Spółka z ograniczoną odpowiedzialnością

ul. Kościuszki 1, 32-020 Wieliczka, Polska

service: support@pro-device.com