



## INSTRUCTION MANUAL

### ProDevice ASM120 Degausser

V.ASM120.2024.1.EN

## CONTENTS

1. Features	04
2. Packaging removal	04
3. Overview	05
4. Operation	09
5. Instruction video	10
6. Destruction of storage media	11
7. Safety precautions	12
8. Maintenance	13
9. Possible faults and ways to fix them	14

Thank you for purchasing the ProDevice ASM120 degausser. This device was designed using state-of-the-art technical know-how and manufactured using modern and reliable electrical, electronic and mechanical elements. It produces a strong magnetic field to delete data from magnetic storage media completely.

This user manual is integral to the degausser. Read and understand the manual before operating the device. Keep the manual for future reference. The company Diskus Polska sp. z o. o., as the manufacturer is not responsible for the partial or total failure to comply with this manual.

Strictly follow the operating guidance specified in the user manual. Any deviation from it is against the intended use of the degausser. The manufacturer will not be liable for any damage caused by non-intended use of the device.

Never attempt to modify the degausser. The manufacturer will not be liable for the performance or operating safety if the device is modified.

The manufacturer reserves the right to introduce changes to the design of devices, deemed necessary by the manufacturer to improve them.



Refer to Instruction manual.



Electrical hazard.



Magnetic field.



Do not put hands inside.

## 1. FEATURES

- ProDevice ASM120 degausser
- Power cable
- RJ45 UTP patch cable Cat. 5 (ASM120 Professional)
- Pendrive with manual instructions and software (ASM120 Professional)

## 2. PACKAGING REMOVAL

The degausser is delivered to the buyer in a dedicated box or a case. The device's weight requires at least two people to remove it from the box and subsequent transport to the place of installation. Carefully remove all packaging materials and verify that the contents are complete as listed in the product features above. Having removed the packaging materials, immediately inspect the degausser for any evidence of damage in transport. If the device or any of its dedicated accessories are damaged, report this to the shipment forwarder and the manufacturer.

Remove VCI emitter form the drawer.

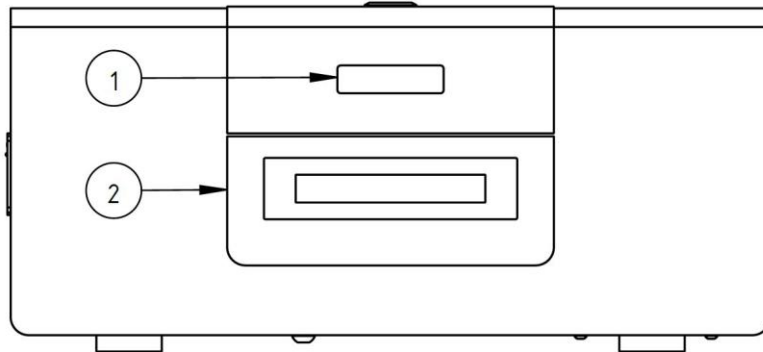
After removing all packing materials, place the degausser on a hard surface in a designated, sheltered installation site.

All devices and construction elements should be located at a distance of at least 1 meter away from the degausser.

Before initial use of the degausser, wait at least 12 hours for the device to equalize the temperature with the surroundings.

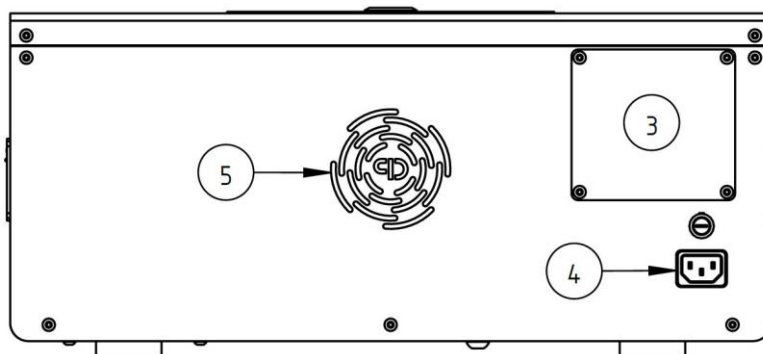
### 3. OVERVIEW

#### Front panel



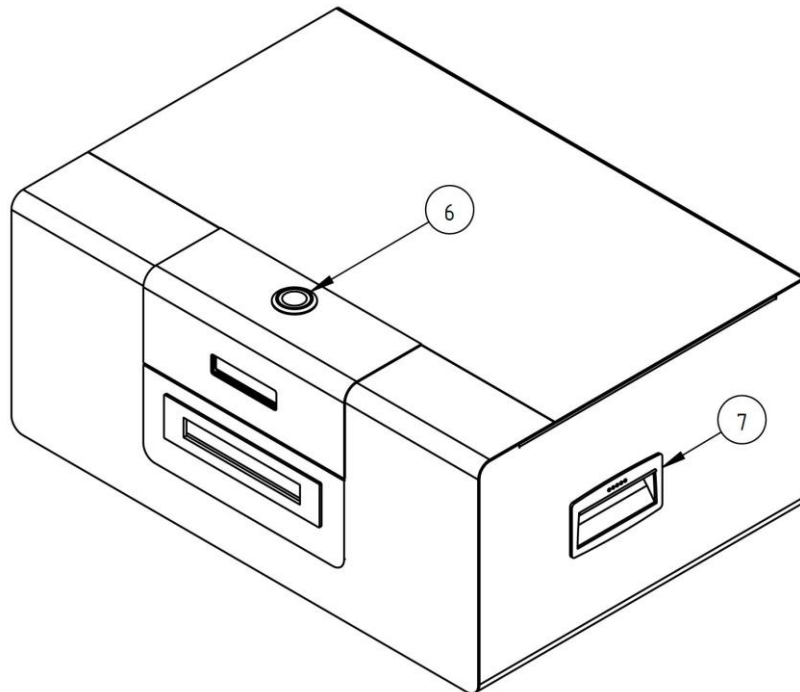
- 1. LCD display
- 2. Media drawer

#### Rear panel



- 3. RJ45 port
- 4. Power socket
- 5. Fan

Side view



6. Power button

7. Side handle

## Technical specification

Power supply	115 / 230 V, 50 / 60 Hz
Current	steady mode 0.35 A, charging: 3 A
Cycle time	< 30 seconds/storage medium *
Magnetic induction	Up to 1.1 T (11 000 Gauss)
IP protection class	IP20
Dimensions of the media drawer	255 mm x 120 mm x 45 mm (10.0 in x 4.7 in x 1.7 in)
Ambient temperature	5°C – 45°C (41°F – 104°F)
Ambient humidity	10% – 60% (no condensation)
Dimensions	221 mm x 465 mm x 350 mm (8.7 in x 18.3 in x 13.8 in)
Weight	33.5 kg (73.9 lb)

\* Depending on the selected operating mode, the cycle duration time may change.

## Descriptions of displayed messages

Information on the display	Meaning
Message „ProDevice ASM120”	Welcome inscription along with the software version
Message „230V” lub „115V”	Information about the set supply voltage
Message „ProDevice IP”	Programmed IP of the device
Message „Connecting to PC please wait...”	Information while waiting for connection with PC
Message „PC connected”	PC connection information
Message „Cycle counter”	Counter of completed cycles
Message „Open the drawer”	Awaiting to start work
Message „Load disk and close the drawer”	The input of the media drawer is open
Message „Erase cycle”	Degaussing cycle in progress
Message „Erase cycle finished - OK”	Degaussing completed successfully
Message „WARNING cycle terminated”	The demagnetization cycle has been interrupted
Message „Remaining cycles counter”	Counter of the remaining cycles, if a counter of the allowed cycles has been programmed



## 4. OPERATION

1. Place the degausser on a stable surface.
2. Connect the power cord to the degausser and then to a power outlet.
3. Press the START / STOP button - this button will glow red.
4. Wait until the message "**Open the drawer**" appears on the display. The device is ready for operation.
5. Place the data carrier in the media drawer and close it.
6. The degaussing process is in progress, the message on the display "**Erase cycle finished -OK**" informs about its successful completion.
7. Remove the medium from the media drawer.
8. As soon as the message "**Open the drawer**" appears on the display, you can start another degaussing cycle.
9. Opening the media drawer while the degaussing is in progress, stops the process, and the display shows "**WARNING cycle terminated**".
10. In order to properly turn off the device, after completing the degaussing cycle, press the START / STOP button and the main power switch.
11. Disconnect the power cord from the power outlet and then from the degausser.

## 5. INSTRUCTION VIDEO

Scan the QR code to watch an official video presenting correct usage of the ProDevice ASM120 degausser.



The video is an inseparable part of this manual Instruction.

## 6. DESTRUCTION OF STORAGE MEDIA

ASM120 degausser is intended for erasing data from magnetic storage media available on the market. Putting media inside the drawer enables deleting data from different types of media, and from media with different dimensions. There is no need to use extra connectors or adapters.

Strong magnetic pulse generated by the device causes physical change in the ferromagnetic layer of a medium and transforms it into a paramagnetic. This results in an irreversible loss of data and makes the medium unusable (no data can be stored again – does not apply to some types of tapes: DAT, DLT).

ProDevice ASM120 can be used for continuous operation.

### Maximum 1 media inside.



#### **DANGER!**

It is prohibited to open device housing!

Removing the housing causes risk of electric shock and/or death!



#### **CAUTION!**

The degaussing cycle can always be stopped by:

- Opening the DRAWER.
- Pressing the POWER button.

## 7. SAFETY PRECAUTIONS

Please read the operating manual before initial start-up, operation and maintenance of the device and keep it for later use or for passing on to any subsequent users.

- Service may be performed by authorized personnel only.
- Before using the device, check if all elements are installed accordingly to the manual instructions.
- Never attempt to open and / or modify the device.
- If a malfunction is detected in the device, it must be reported immediately to the person responsible. This is important for your own safety and that of others.
- This device may be used by people with inexperience and knowledge of the equipment, if supervision or instruction regarding the use of the equipment is provided in a safe way, so that the threats were understandable. Children should not play with the device.
- Operating the device may be dangerous for pregnant women and people with pacemakers.
- Before attempting any adjustment, maintenance or inspection, always isolate the degausser from the supply voltage by unplugging the power cord from the mains and wait until the degausser cools down.
- If power is disconnected, the operator must see that the machine is disconnected (power cord disconnected and unplugged) from every point to which he has access. If this is not possible due to the design or installation of the machine, disconnect with the locking system in the disconnected position from the power supply.
- Do not store / use the degausser in places where it may be exposed to moisture or temperature exceeding the allowed.
- If the device will not be used for an extended period of time, disconnect the power cord from the mains.
- Disconnect the device from the local power grid during an electrical storm.
- Do not allow any liquids to enter the device.

- If you notice overheating of the device, leave the degausser on and wait 30 minutes.
- Due to the weight of the device, at least two people are required to remove it from the box and transport it later to the installation site.
- The device may only be transported in the packaging or suitcase provided by the manufacturer.
- The package or a case should be secured during transport with transport belts or other means ensuring mechanical stability.

## 8. MAINTENANCE



### CAUTION!

Improper handling of the machine can lead to an electric shock.

Clean the degausser only with a dry, soft cloth. Do not allow any liquids to enter the device. Do not use scouring agents, cleaning agents, petroleum and its derivatives, or thinners.

Mechanical and electrical maintenance may only be performed by the manufacturer's authorized service.

The device requires an inspection by an authorized service of the manufacturer at least every 10,000 work cycles.

In the event of a failure or interruption in operation due to damage to the device or any of its components, please contact the authorized service of the manufacturer.

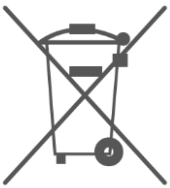
## 9. POSSIBLE FAULTS AND WAYS TO FIX THEM

Below are the fault descriptions and the required user responses:

Fault / Information shown on the display	Possible cause	Way to remove the fault
The device does not turn on	There is no power at the wall socket	Check that there is power in the outlet by plugging in another electrical device
	The plug is not properly inserted in the wall socket	Insert the plug into the wall socket correctly
The device does not turn on – power socket is ok	Damaged power cord	Replace the power cord with a new one having the same specifications
The device does not turn on – power socket, power cord ok	Power button turned off	Turn on the device using the power button
	Blown fuse in power outlet	Replace the blown fuse with a new one having the same rating
The device does not turn on – power socket, power cord, power button ok	START button disabled	Turn on the device by pressing the START button
The device does not turn on – power socket, power cord, power button, START button ok	-	Contact service
Message „No response from PC”	The plug is not properly inserted in the wall socket	Insert the plug into the wall socket correctly
Message „No response from PC” – ethernet socket ok	Damaged network cable	Replace the network cable with a new one having the same characteristics
Message „No response from PC” - ethernet socket, cable ok	No / badly configured network card	Configure the computer's network card as instructed
Message „No response from PC” - ethernet socket, cable, network card ok	-	Contact service
Message „Inspection necessary”	Required inspection after the programmed number of cycles	Contact service
Message „Please contact service”	-	Contact service
Message „Clock failure”	Clock data corruption	Contact service
Message „Remaining cycles counter 0”	Exceeding the programmed number of cycles	Contact service

Fault / Information shown on the display	Possible cause	Way to remove the fault
Message „Disk NOT erased“	Unsuccessful demagnetization cycle	Try again. In case of failure, contact service
Message „Disk NOT erased/battery“	Problem with confirming the power of the shot	Contact service
Message „Disk NOT erased 1“	Damage to the detection of "zero" of the supply network	Contact service
Message „Disk NOT erased 2“	Lower capacitor charged above the safety threshold	Contact service
Message „Disk NOT erased 3“	Upper capacitor charged above the safety threshold	Contact service
Message „WARNING high temperature“	High temperature warning on the charging resistor	Contact service

**CORRECT DISPOSAL OF THE PRODUCT (ELECTRICAL AND ELECTRONIC EQUIPMENT).**



According to the idea of GreenIT, correct handling of electronic and electrical waste helps to avoid harmful consequences to the people’s health and to environment resulting from incorrect storage and processing of equipment. This is provided for by European Community Directive 2002/96/EC and Polish act on waste Electrical and electronic equipment.

After the end of life, a degausser should be submitted to an electrical and electronic waste collection point. A symbol on the product, packaging or manual signals this.

INTERNATIONAL HOTLINE: +48 122 919 101



## CONTACT

---

ProDevice Spółka z ograniczoną odpowiedzialnością Sp.k.

ul. Kościuszki 1, 32-020 Wieliczka, Poland

tel. +48 122 919 101

e-mail: [info@pro-device.com](mailto:info@pro-device.com)

service: [support@pro-device.com](mailto:support@pro-device.com)

If you have an improvement idea or suggestion, write to [info@pro-device.com](mailto:info@pro-device.com)

[info@pro-device.com](mailto:info@pro-device.com)

[www.pro-device.com](http://www.pro-device.com)

## MANUFACTURER'S ADDRESS DETAILS

Diskus Polska Spółka z ograniczoną odpowiedzialnością

ul. Kościuszki 1, 32-020 Wieliczka, Polska

service: [support@pro-device.com](mailto:support@pro-device.com)