



## INSTRUCTION MANUAL

### ProDevice GDX02 Shredder

V.DGX02.2023.1.EN

## CONTENTS

1. Features	04
2. Packaging removal	04
3. Overview	05
4. Operation	08
5. Instruction video	09
6. Destruction of storage media	10
7. Safety precautions	11
8. Maintenance	13
9. Possible faults and ways to fix them	18

Thank you for purchasing the ProDevice DGX02 – the automatic media shredder for physical destruction / disintegration of storage media which may include: hard disk drives (HDD) and solid state drives (SSD), magnetic tapes, mobile phones and tablets (with the battery packs removed), floppy disks, and more.

This user manual is integral to the shredder. Read and understand the manual before operating the shredder. Keep the manual for future reference. The company Diskus Polska sp. z o. o., as the manufacturer is not responsible for the partial or total failure to comply with this manual.

Strictly follow the operating guidance specified in the user manual. Any deviation from it is against the intended use of the shredder. The manufacturer will not be liable for any damage caused by non-intended use of the device.

Never attempt to modify the shredder. The manufacturer will not be liable for the performance or operating safety if the device is modified.

The manufacturer reserves the right to introduce changes to the design of devices, deemed necessary by the manufacturer to improve them.



Refer to Instruction manual.



Wear eye protection.



Maximum 2 media inside.



Do not put hands inside.

## 1. FEATURES

- ProDevice DGX02 shredder
- Trolley and a plastic container for shredded data carriers
- Sprayer with oil for cutting knives
- Ratchet socket wrench with 22 mm socket
- Lubricator with lubricating oil
- Two keys for media input upper housing locks
- Pendrive with manual instructions

## 2. PACKAGING REMOVAL

The shredder is delivered to the buyer on a pallet in a box. The device's weight requires a pallet truck or a forklift to remove it from the pallet. Carefully remove all packaging materials and verify that the contents are complete as listed in the product features above. Having removed the packaging materials, immediately inspect the shredder for any evidence of damage in transport. If the shredder or any of its dedicated accessories are damaged, report this to the shipment forwarder and the manufacturer.

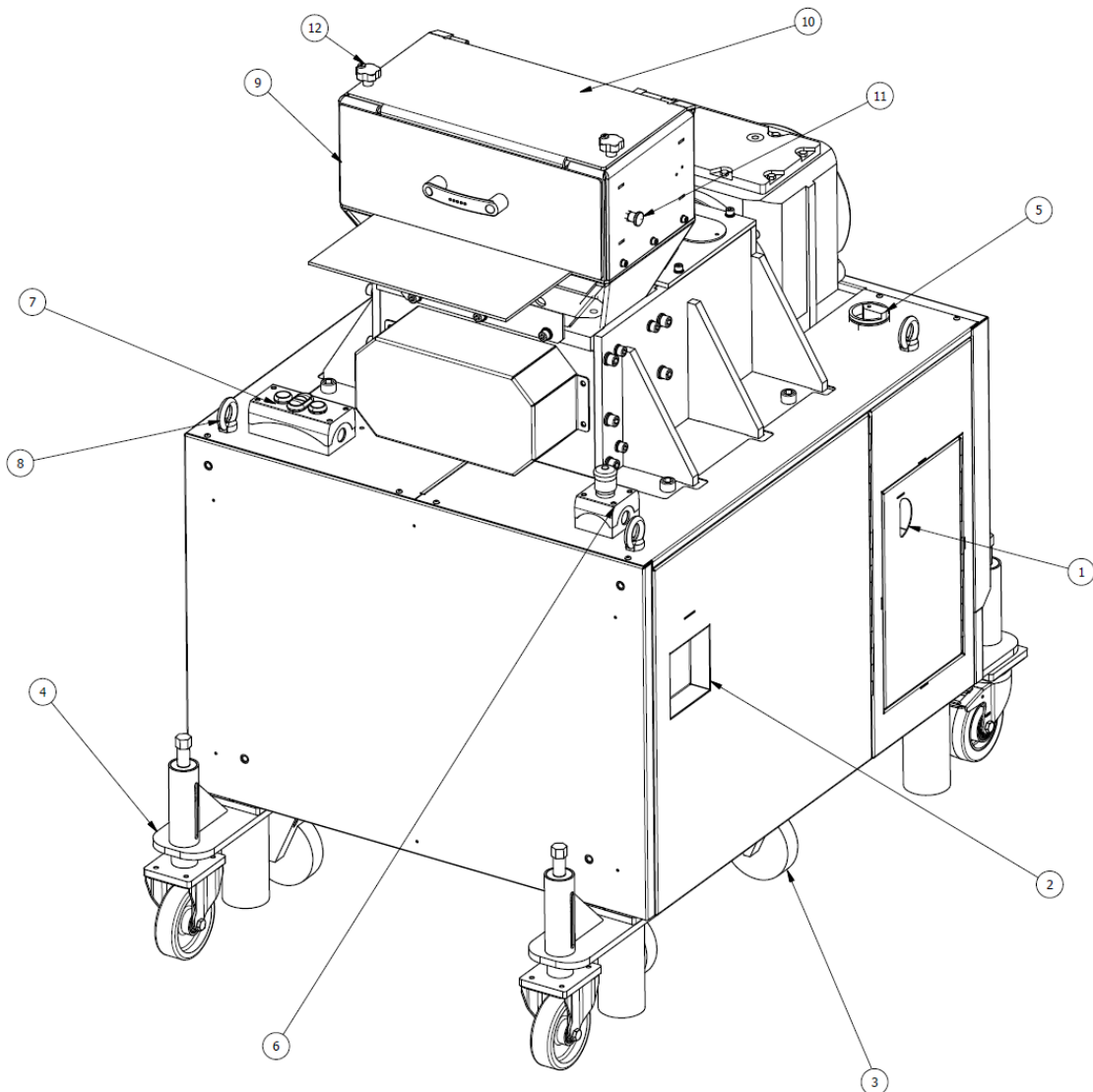
With all packaging materials removed, place the shredder on a firm surface at the designated, sheltered installation site. Secure the shredder in position to prevent movement.

It is recommended to apply oil to the cutting blades before every use to extend the life span of the cutting blades greatly. Applying lubricant oil to the bearings is mandatory before first use and every three months.

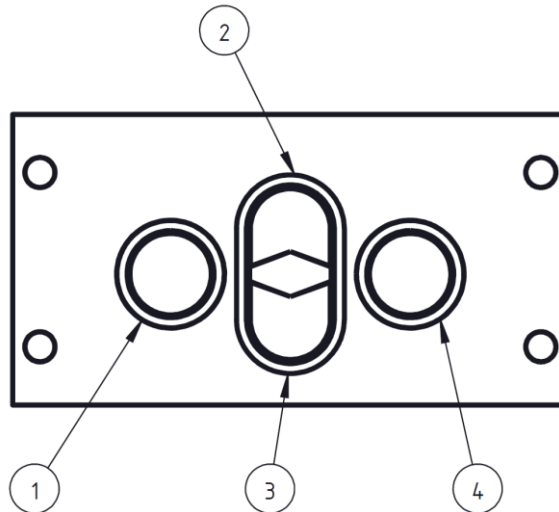
### 3. OVERVIEW

#### 3D view

- |                                    |                                     |
|------------------------------------|-------------------------------------|
| 1. Power cord housing.             | 7. Operator control panel.          |
| 2. Shredded scrap bin compartment. | 8. Transport bolts.                 |
| 3. Shredded scrap bin.             | 9. Media input drawer.              |
| 4. Foot with drop wheel.           | 10. Media input upper housing.      |
| 5. Main switch.                    | 11. Media input drawer lock.        |
| 6. Emergency stop.                 | 12. Media input upper housing lock. |



## Operator control panel



1. **START BUTTON:** starts automatic operation of the shredder.
2. **FORWARD BUTTON:** enables manual operation of the shredder (Only for applying oil. Manual destruction of media may be harmful for the control system and is forbidden).
3. **BACKWARD BUTTON:** switches over the sense of rotation of the shredding blades.
4. **STOP BUTTON:** stops the shredder while running.

## Technical specification

Power supply	3PH 380-480V 50/60Hz
Rated current	13 A
Motor power	5.5 kW (7.4 HP)
Power plug	PCE 3P+N+E 400V 32A IP44
Security level (DIN 66399)	T-3, E-2, H-5, O-2
Ambient temperature	5°C – 45°C (41°F – 104°F)
Ambient humidity	10% – 70% (no condensation)
Sound intensity at idle	55 dB
Dimensions	1285 mm x 920 mm x 1190 mm (50.6 in x 36.2 in x 46.9 in)
Weight	655 kg (1444 lb)
Waste container dimensions	600 mm x 400mm x 410 mm (23.6 in x 15.7 in x 16.1 in)

## 4. OPERATION

1. Place the shredder on a hard surface in the designated, sheltered installation area.
2. Secure the shredder against shifting by lowering its legs with a ratchet socket wrench.
3. Make sure the shredded scrap bin is in the compartment and that the compartment door is closed.
4. Unlock the media input drawer lock to open it.
5. Insert the keys into the locks on the media input upper housing and open it.
6. Apply the oil for cutting knives.
7. Close and lock the media input upper housing.
8. Locate the lubrication points and apply grease to each of them.
9. Extend the power cord and plug it into a power outlet.
10. Turn on the shredder using the main switch.
11. Place the storage medium in the media input drawer and close it.
12. Start the shredder by pressing the START button.
13. Wait until the media is completely shredded.
14. Stop the shredder by pressing the STOP button or by opening the input media drawer.
15. Place another media in the media input drawer and press the START button to restart the device.
16. In the event of overloading the device, the work of the shredding knives will be stopped and the STOP button will be illuminated. To restart the shredder, close the media input drawer and press the STOP button, then the START button.
17. In case of pressing the EMERGENCY STOP button, the work of shredding knives will be stopped and the STOP button will be illuminated. To restart the shredder, close the media input drawer and press the STOP button, then the START button.
18. To properly shut down the device, after the shredding cycle is complete, press the STOP button and use the main switch.
19. Disconnect the power cord from the power outlet and store it in the housing unit.



## 5. INSTRUCTION VIDEO

Scan the QR code to watch an official video presenting correct usage of the ProDevice DGX02 shredder.



The video is an inseparable part of this manual Instruction.

## 6. DESTRUCTION OF STORAGE MEDIA

The DGX02 shredder is designed to destroy data carriers available on the market. By placing the media in the drawer, you can shred various types of media as well as media of various sizes.

ProDevice DGX02 can be used for continuous operation.

In the case of destroying hard drives, a break in the operation of the device is recommended. The shredder should not be used for 30 minutes after 5 hours of continuous operation. In the case of other data carriers, this time may be extended to 7 hours.

### Maximum 2 media inside.



#### MANDATORY!

Wear safety glasses at all times when working with the device.



#### DANGER!

It is prohibited to open device housing!

Removing the housing causes risk of electric shock, injury, serious injury and / or death.



#### CAUTION!

The shredder can always be stopped by operating:

- The STOP button.
- The EMERGENCY STOP button.
- The MAIN switch.

## 7. SAFETY PRECAUTIONS

Please read the operating manual before initial start-up, operation and maintenance of the machine and keep it for later use or for passing on to any subsequent users.

- Service may be performed by authorized personnel only.
- Before using the device, check if all elements are installed accordingly to the manual instructions.
- Never attempt to open and / or modify the device.
- If a malfunction is detected in the device, it must be reported immediately to the person responsible. This is important for your own safety and that of others.
- This device may be used by people with inexperience and knowledge of the equipment, if supervision or instruction regarding the use of the equipment is provided in a safe way, so that the threats were understandable. Children should not play with the device.
- Before attempting any adjustment, maintenance or inspection, always isolate the degausser from the supply voltage by unplugging the power cord from the mains and wait until the shredder cools down.
- If power is disconnected, the operator must see that the machine is disconnected (power cord disconnected and unplugged) from every point to which he has access. If this is not possible due to the design or installation of the machine, disconnect with the locking system in the disconnected position from the power supply.
- Do not store / use the device in places where it may be exposed to moisture or temperature exceeding the allowed.
- If the device will not be used for an extended period of time, disconnect the power cord from the mains.
- Disconnect the device from the local power grid during an electrical storm.
- Do not allow any liquids to enter the device.

- If you notice overheating of the device, turn off the shredder and wait 30 minutes.
- The weight of the device requires a pallet truck or a forklift to remove it from the palette.
- The device should be secured during transport with transport belts or other means ensuring mechanical stability.
- Never tamper with the shredder's blades by placing any part of the body or any foreign objects into the media input.
- Do not place any objects which might cause a risk of explosion in the feeder tray: this applies to batteries (rechargeable and non-rechargeable ones), capacitors, and pressurized containers.
- Press the EMERGENCY STOP button if there is a risk to the operator or the device.

Safe operation of the shredder requires proper connection to the electrical network, which must be performed under applicable regulations. The electric shock protection system in the shredder must comply with the standards in force at the place of destination. The shredder should be connected to the mains by a qualified specialist.

Oil for cutting blades:



- May be fatal if swallowed and / or enter airways.
- IF SWALLOWED: Immediately call a POISON CENTER or a doctor. Do NOT induce vomiting
- Store locked up, away from children.

## 8. MAINTENANCE



### CAUTION!

Improper handling of the machine can lead to an electric shock.

Disconnect the plug from the power supply before relocation, cleaning or maintenance.

Before carrying out maintenance, wait 30 seconds after disconnecting the power plug.

Mechanical and electrical maintenance may only be performed by the manufacturer's authorized service.

The device requires an inspection by an authorized service of the manufacturer at least every 10,000 work cycles.

In the event of a failure or interruption in operation due to damage to the device or any of its components, contact the authorized service of the manufacturer.

### 1) Applying oil to the cutting blades (before every use):

- Turn off the device.
- Open the media input drawer and media input upper housing.
- Apply a small amount of oil.
- Close the media input drawer and media input upper housing.
- Turn on the device.
- Operate the machine backward and forward using manual operation buttons.
- Operate the shredder.

## 2) Relocation:

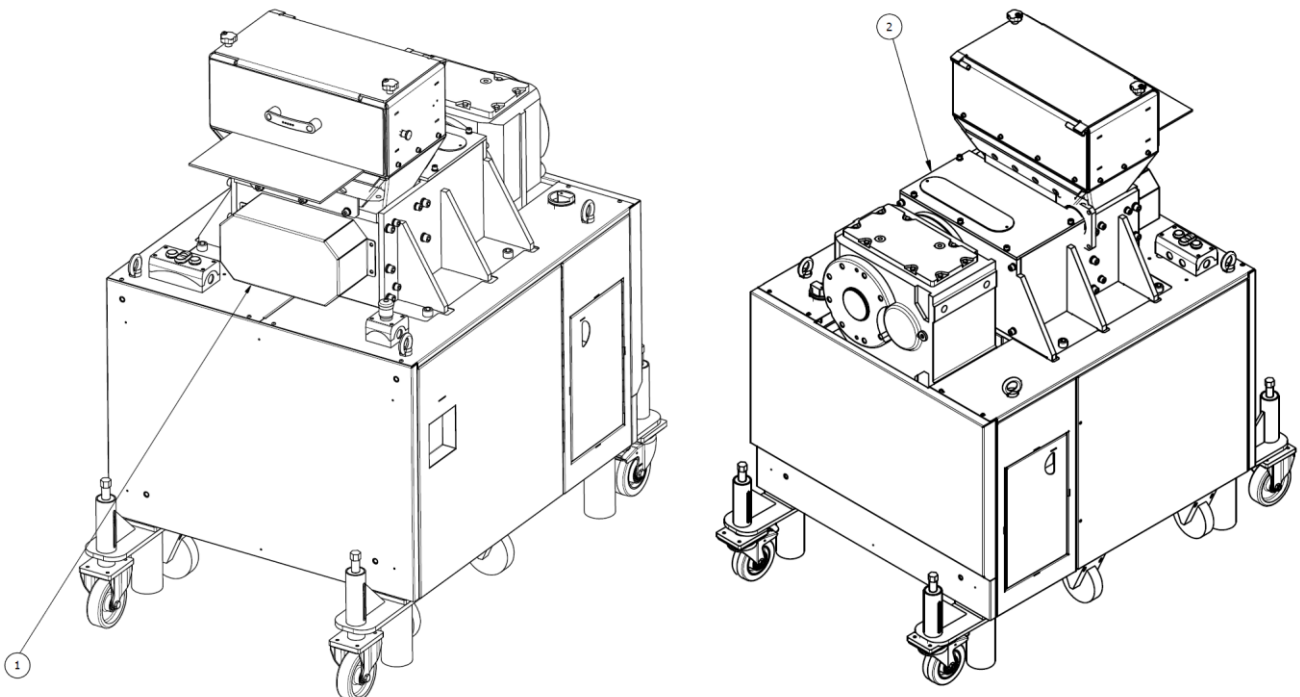
- Turn off the device.
- Disconnect the power plug.
- Roll up and hide the power cord in the designated housing area.
- Use the ratchet socket wrench with 22 mm socket to lower the drop wheels.
- Turn the ratchet wrench counter clockwise to lower the drop wheels.
- Use a level to determine the wheel alignment.

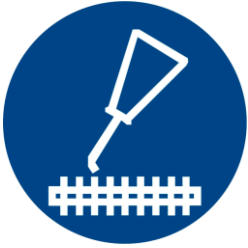
Do not attempt to use the shredder when  
the drop wheels are lowered.

## 3) Applying lubricant oil to the bearings (every three months):

Lubricant points are located in two positions marked in the drawing below.

For the details on how to prepare for adding lubricant oil to the DGX02 shredder, head to the next pages.

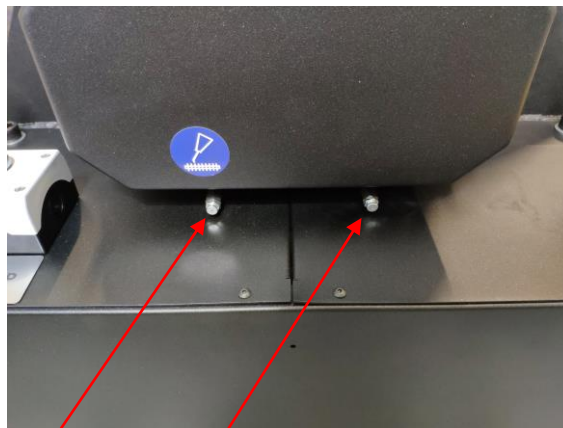




All of the lubricant points are marked with this symbol.

#### 1. Lubricant points position 1:

- Turn off the device.
- Disconnect the power plug.
- Connect the lubricator to one of the lubricant points and apply lubricating oil.
- Repeat the previous step with the second of the lubricant points.
- Disconnect the lubricator and operate the shredder.



## 2. Lubricant points position 2:

- Turn off the device.
- Disconnect the mains plug.
- Connect the lubricator to one of the lubricant points and apply lubricating oil.
- Repeat the previous step with the second of the lubricant points.
- Disconnect the lubricator and operate the shredder.



Do not attempt to use the shredder when any of the housing components are open.

---

Lubricating oil application every three months is required to maintain the warranty.

---



LUBRICATION TABLE \*

DATE	NAME	OBSERVATIONS	SIGNATURE

\* Use this lubrication table to check the deadline of the next lubricating operation.

## 9. POSSIBLE FAULTS AND WAYS TO FIX THEM

Below are the fault descriptions and the required user responses:

Fault	Possible cause	Way to remove the fault
The device does not turn on	No power at the wall socket	Check that there is power in the outlet by plugging in another electrical device or by using a meter
	The plug is not properly inserted in the wall socket	Insert the plug into the wall socket correctly
The device does not turn on - socket ok	Main switch is off	Insert the plug into the wall socket correctly
	The fuse in the installation has blown	Lift the fuse or, if it is damaged, replace it with a new one with the parameters recommended by the manufacturer
The device does not turn on - socket, main switch ok	Damaged power cord	Replace the power cord with a new one having the same specifications. THIS OPERATION CAN ONLY BE PERFORMED BY AN ELECTRICIAN WITH VALID LICENSE!
The device does not turn on - socket, main switch, power cord ok	-	Contact service
The device turns on but runs in opposite speed	Incorrect connection of the phase conductors in the device plug or in the power socket.	Disassemble the plug and swap the two phase wires with each other. THIS OPERATION CAN ONLY BE PERFORMED BY AN ELECTRICIAN WITH VALID LICENSE!
The device does not start working	EMERGENCY STOP button pressed	Pull up the EMERGENCY STOP button
The device does not start operation - EMERGENCY STOP button ok	START button disabled	Turn on the device by pressing the START button
	Defective control panel	Contact service
	Drawer door, drawer top lid or waste bin door not closed	Close the door and try again
	Bad microswitch on drawer door, drawer top lid and / or waste bin	Contact service
The drawer is blocked, it cannot be pulled out	The protection of the drawer blocks the possibility of its opening	Pull the tab towards you to open the drawer
Switching off the device operation while destroying the medium	Motor overload	Press the STOP button and then START
Damaged cutting knife	Operation of the device	Contact service

INTERNATIONAL HOTLINE: +48 122 919 101



## CONTACT

---

ProDevice Spółka z ograniczoną odpowiedzialnością

ul. Kościuszki 1, 32-020 Wieliczka, Poland

tel. +48 122 919 101

e-mail: [info@pro-device.com](mailto:info@pro-device.com)

service: [support@pro-device.com](mailto:support@pro-device.com)

If you have an improvement idea or suggestion, write to [info@pro-device.com](mailto:info@pro-device.com)

[info@pro-device.com](mailto:info@pro-device.com)

[www.pro-device.com](http://www.pro-device.com)

## MANUFACTURER'S ADDRESS DETAILS

DISKUS Polska Spółka z ograniczoną odpowiedzialnością

ul. Kościuszki 1, 32-020 Wieliczka, Polska

service: [support@pro-device.com](mailto:support@pro-device.com)